

VERTICAL REJECT BUFFER

PN: VRB-.6M-3/1

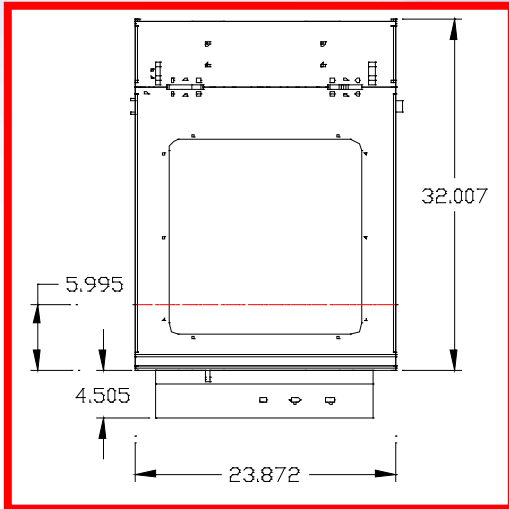
CUSTOMER SATISFACTION..... "Whatever it takes"

STANDARD FEATURES:

- .6 Meter Edge Belt Conveyor
- Mechanical levers with lifts for three failed PCB's
- Passed PCB's pass through mechanical levers to downstream machine
- Board Edge Clearance = .100" (.060" min.)
- Failed PCB's can be removed without stopping the machine operation
- Light Tower with Alarm for failed boards
- User Friendly Control Panel
- Hand Crank Width Adjustment on Vertical Lifts = 2.0" – 16.0"
- PLC Controls with SMEMA Cables
- Pass / Fail signal from up stream machine required
- Footprint: .6 Meters Wide X 32" Deep X 44" Tall

OPTIONS:

- 18" x 20", 21" x 24", 24" x 28" PCB Capability
- Speed Control
- Automatic Width Adjust
- Additional Warning Light (For more attention)



SPECIFICATIONS:

- PCB Size: Min. 2" X 4"
..... Max.16" X 18"
- PCB Height:..... 37.5" + - 2"
- Edge Clearance:..... .100" from edge of PCB
- Air Requirements:.....N/A
- Power Requirements:..... 5 amps @ 110VAC
- Cycle Time.....6 Sec
- PCB Max Weight: 10 lb.
- PCB Min. Thickness:010"
- PCB Max. Thickness:180"

Conveyor Technologies
5313 Womack Road
Sanford, NC 27330
Ph: (919)-776-7227
www.conveyor-technologies.com

