

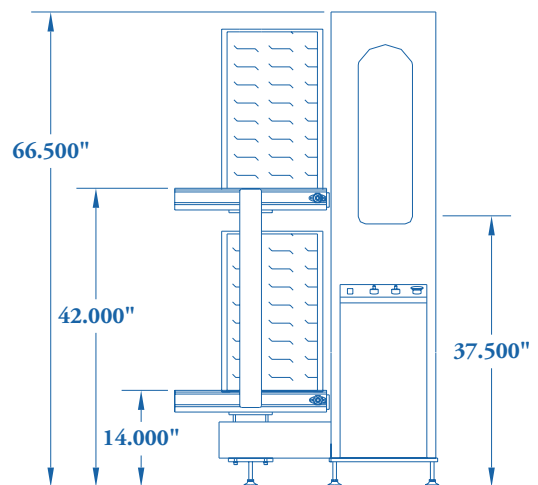
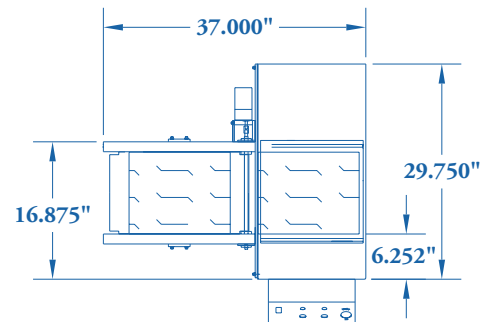
PN: MFMU-37I

STANDARD FEATURES:

- 9.8" X 12" PCBs
- Unloads PCBs from Magazine to Next Machine
- One Magazine In-Process; One Full Magazine Queued Waiting to be Unloaded, and Stores One Unloaded (Empty Magazines)
- Mechanical Pusher Pushes PCBs from Magazine onto Conveyor of Next Machine
- Totally Enclosed for Safety
- Bottom Magazine Clamps
- Auto/Manual Switches on Control Panel
- PLC Controls with SMEMA Cables
- Board Edge Clearance = .118"

OPTIONS:

- Warning Light with Alarm
- Double Queue - MFMU-55I
- High Speed Servo (22 sec. Magazine Change)



STANDARD SPECIFICATIONS:

<u>PCB Size</u>	Min: 2.0" x 4.0" Max: 9.8" x 12"
<u>PCB Height</u>	37.5 Inches ± 2"
<u>Air Requirement</u>	.3 cfm @ 65 PSI
<u>Power Requirement</u>	110 VAC, 15A
Cycle Time:	
<u>Unload PCB</u>	7 Seconds
<u>Magazine Change</u>	40 Seconds
<u>High Speed Option</u>	22 Seconds
<u>Weight Capacity</u>	90 lbs./Magazine