

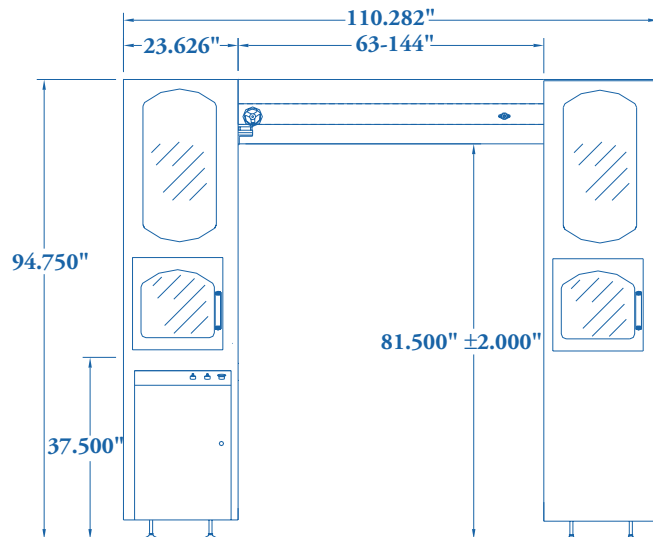
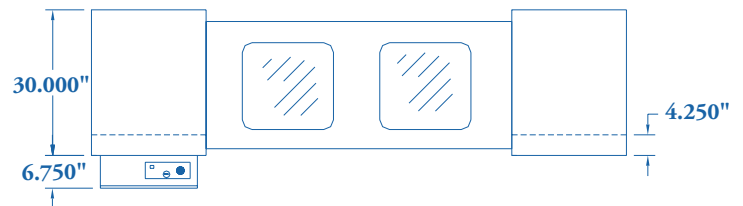
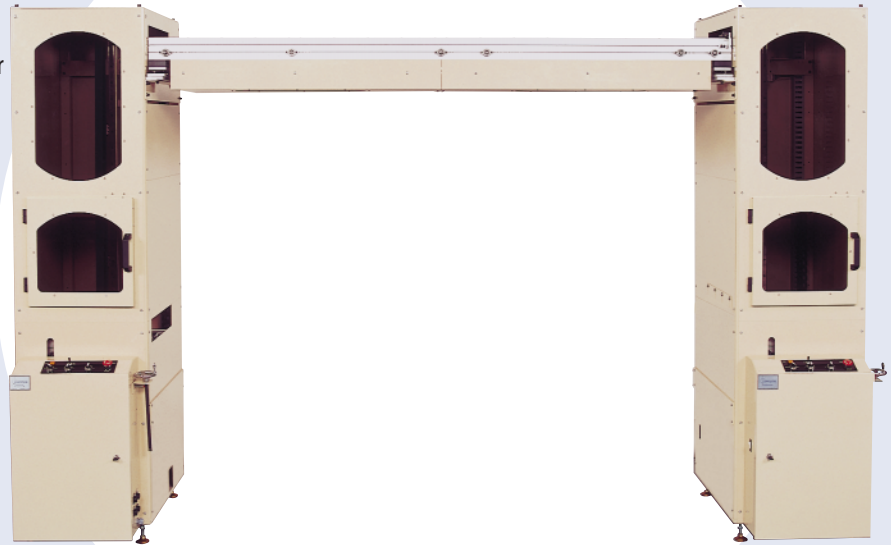
PN: WU-2.5M-2

STANDARD FEATURES:

- Inline Walk Under Creates Clear Aisle
- Aisle Width is 63" (Available up to 12' width)
- Multiple Drive Sections on Overhead Conveyor
- Pneumatic Cylinder Used for Lift (Servo Optional)
- Totally Enclosed for Safety with Interlocked Doors
- Access Doors on Front and Access Panel on Back
- PLC Controls with SMEMA Cables
- Board Edge Clearance = .100" (.060" min)
- Hand Crank Width Adjust = 2.0" - 16.0"
- Auto Width Adjust for Over Head Conveyor
- 1/2" Steel Base

OPTIONS:

- 18" x 20", 21" x 24" PCB Capability
- Speed Control
- Multiple Conveyor Drive Sections on Lift and Overhead Conveyor
- Overhead Conveyor Lengths Up to 12'
- Auto Width Adjust
- 32" Line Height



STANDARD SPECIFICATIONS:

<u>PCB Size</u>	Min: 2.0" x 4.0" Max: 16.0" x 18.0"
<u>PCB Height</u>	37.5 Inches ± 2"
<u>Air Requirement</u>	.5 cfm @ 65 PSI
<u>Power Requirement</u>	110 VAC, 15A
<u>Cycle Time</u>	18 sec. Pneumatic 15 sec. Standard Speed Servo 9 sec. High Speed Servo