

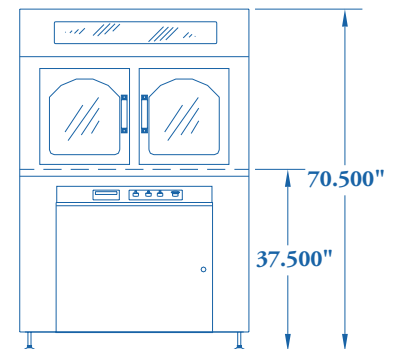
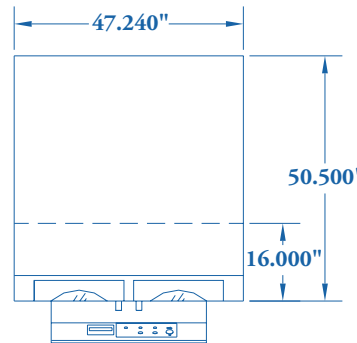
PN: FIFO-1.2M-60

STANDARD FEATURES:

- Vertical FIFO/LIFO/Pass Through
- Each Buffer Position Consists of a Moving Belt Surface to Provide Smooth Transition In and Out of the Buffer
- The Vertical Magazine Consist of 30 Levels, Each has Two Independent Drive Conveyors, thus 60 PCB Capacity
- Adjustable PCB Dwell Time for Cooling
- Disable Feed to Oven Feature if Buffer is Full
- Operator Interface Control Panel
- Board Edge Clearance of .118"
- Totally Enclosed for Safety with Interlocked Doors
- Servo Z-Axis (Elevator)
- Auto/Manual Switches on Control Panel
- PLC Controls with SMEMA Cables
- 5/8" Steel Base
- Push Button Width Adjust 2.0" - 16.0"

OPTIONS:

- 18.0" X 20.0" PCB Capability
- Warning Light with Alarm
- Cooling Fans
- Light Tower
- High Speed (6-18 Seconds)



STANDARD SPECIFICATIONS:

<u>PCB Size</u>	Min: 2.0" x 4.0" Max: 16.0" x 18.0"
<u>PCB Height</u>	37.5 Inches ± 2"
<u>Air Requirement</u>	.3 cfm @ 65 PSI
<u>Power Requirement</u>	220 VAC, 20A
<u>Cycle Time</u>	8-24 Seconds (High Speed 6-18 Seconds)
<u>Capacity</u>	60 PCB's on a .800" Pitch
<u>Weight Capacity</u>	150 lbs.