

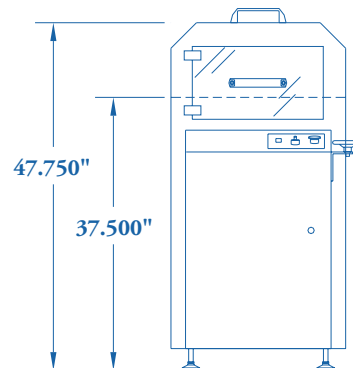
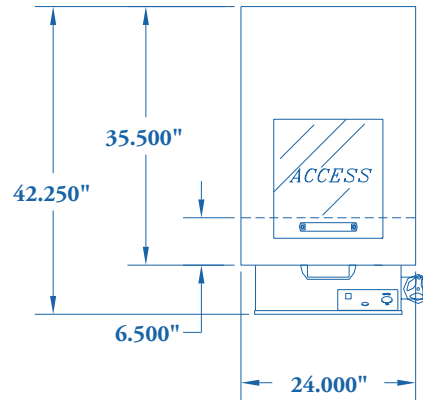
PN:FL-24I

**STANDARD FEATURES:**

- Single Flip per Cycle
- Pneumatic Cam Drive for Rotation
- Pass Through Mode
- Totally Enclosed for Safety with Interlocked Doors
- Access Doors on Front and Top with Access Panel on Back
- PLC Controls with SMEMA Cables
- Board Edge Clearance = .125"
- Hand Crank Width Adjust = 2.0" - 16.0"
- 1/2" Steel Base Construction
- Safety Sensors Located at Entrance and Exit

**OPTIONS:**

- 18" X 20", 21" X 24", 24" X 28" PCB Capability
- Light Tower for Indicating Operating Status
- Speed Control
- 32" Line Height
- Auto Width Adjust



**STANDARD SPECIFICATIONS:**

<u>PCB Size</u>	Min: 2.0" x 4.0" Max: 16.0" x 18.0"
<u>PCB Height</u>	37.5 Inches ± 2"
<u>Air Requirement</u>	.2 cfm @ 65 PSI
<u>Power Requirement</u>	110 VAC, 15A
<u>Cycle Time</u>	11 Seconds