

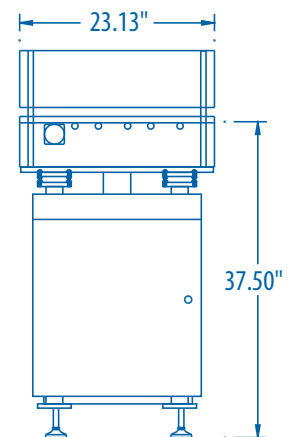
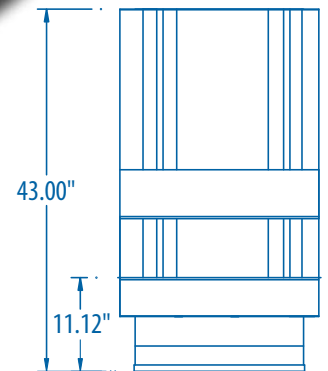
PN: DS-.6M

STANDARD FEATURES:

- Auto/Pass-Thru Switch.
- Mechanical walls apply pressure against the stack of PCB's while releasing the bottom PCB to the conveyor below.
- Protective covers for safety and easy access
- PLC Controls with SMEMA cables.
- Hand Crank width adjust = 2." - 16.0"
- Board Edge Clearance = .100" (.060" min)
- 1/2 Inch Steel Welded Frame

OPTIONS:

- Light tower for indicating operating status
- 18.0" x 20.0" PCB Capability
- CE Compliance



STANDARD SPECIFICATIONS:

PCB Size	Min: 2.0" x 5.0"
	Max: 14.0" x 16.0"
(Odd shaped PCB's will not work in this machine)	
PCB Height	37.5" + 2"
PCB Clearance	Top: = .800"
	Bottom: = .500"
Air Consumption	.5 cfm @ 65 PSI
Power Supply	110 VAC, 5A
Cycle Time	4 - 6 seconds
Capacity	8 Inch Stack

