

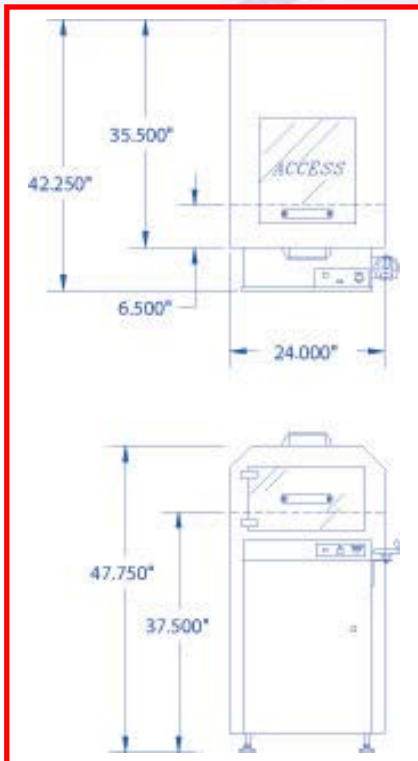
CUSTOMER SATISFACTION..... "Whatever it takes"

STANDARD FEATURES:

- Single Flip per Cycle
- Pneumatic Cam Drive for Rotation
- Pass Through mode
- Totally Enclosed for Safety with Interlocked Doors
- Access Doors on Front and Top with Access Panel on Back
- PLC Controls with SMEMA Cables
- Board Edge Clearance = .125"
- Hand Crank Width Adjust = 2.0" – 16.0"
- 1/2" Steel Welded Frame
- Auto/Manual Select Switch
- Safety Sensors Located at Entrance and Exit

OPTIONS:

- 18" X 20", 21" X 24", 24" X 28" PCB Capability
- Light Tower for Indicating Operating Status
- Speed Control
- 32" Line Height
- Auto Width Adjust



SPECIFICATIONS:

- PCB Size:.....Min. 2" X 4"
.....Max.16" X 18"
- PCB Height:37.5" +/- 2"
- Edge Clearance: 3mm from edge of PCB
- Weight Capacity:..... 15 lbs.
- Power Requirements:... 15 amps @ 110VAC
- Cycle Time:**
- Unload PCB:..... 11 Seconds