

STANDARD FEATURES:

- Placing Accuracy:
+ / - 0.005" + / - 0.001"
(With Vision)
- Components Feeders:
Tape Parts,
Stick Feeders, Tray Parts
& Bulk Feeders
- Adjustable Product
Locating Pins
- Automatic Bad Part Detection
- Cycle Time:
• Application Dependant
- Placement Capacity:
• X, Y & Z Automatic Gantry
• High Speed Servo
• 18" X 20" Placement Platform
- Conveyor Features:
• 1 Meter
• 1 Section
(Multiple Sections Optional)
• Lift and Clamp Conveyor Rails
(Z Axis)
• 6.35 mm Edge Belt
(3 mm Edge Clearance
for Product)
• Left to Right / Right to Left Flow



ACCESSORIES/OPTIONS:

- Vision System
- Bottom Side Clinch
- Light Tower
- Auto width Adjust
- 18 x 20" or 24 X 28"
Product Size
- Custom designs available

FROM HIGH MIX LOW VOLUME TO HIGH VOLUME HIGH MIX, THE g3 ODD FORM IS A SMART CHOICE FOR MANY PICK AND PLACE ASSEMBLY PROCESSES.

g3 ODD FORM HIGH SPEED PLATFORM

g3 ODD FORM PLACEMENT SYSTEM

MISSION STATEMENT CUSTOMER SATISFACTION "whatever it takes"

CTI Easy Teach Software:

Standard Controls:

- PLC Controls with SMEMA interface (Standard)
- Programmable Positions (up to 2000 programmable positions)
- 10 Inch LCD Display Monitor

Optional:

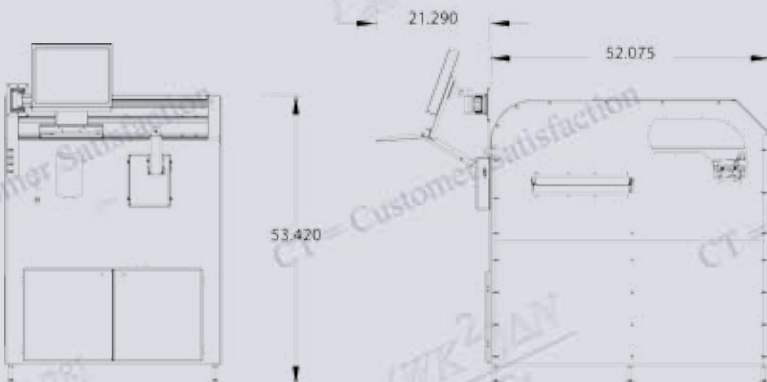
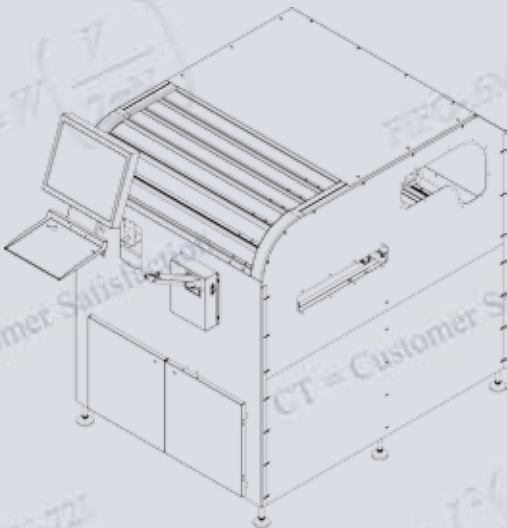
- PC Based Controls
- 15" Plasma Monitor w/keyboard
- CT Easy Teach Software
- Recipe and Memory Storage (Unlimited)
- User Friendly, Windows Based, Network Interface
- PC Based Controls
- 15" Plasma Monitor w/keyboard
- CT Easy Teach Software
- Recipe and Memory Storage (Unlimited)
- User Friendly, Windows Based, Network Interface

Gripper Types:

- Vacuum
- Mechanical Chuck

Gripper Configurations:

- Single 0 to 90 degree rotation
- Single Incremental Theta
- Dual Non Rotating
- Dual 0 to 90 degree rotation
- Dual Incremental rotation



STANDARD SPECIFICATIONS:

- PCB Size: _____ Min. 2" X 4"
_____ Max. 16" X 18"
- PCB Height: _____ 37.5" + / - 2"
- Edge Clearance: _____ .100" from edge of PCB
- Air Requirements: _____ .2 cfm @ 65 PSI
- Power Requirements: _____ 20 amps @ 220VAC
- PCB Max Weight: _____ 10 lb.
- PCB Min. Thickness: _____ (.010")
- PCB Max. Thickness: _____ (.180")

5313 WOMACK ROAD SANFORD, NC 27330 / OFFICE: (919) 776 - 7227 - FAX: (919) 774 - 3097

www.conveyor-technologies.com